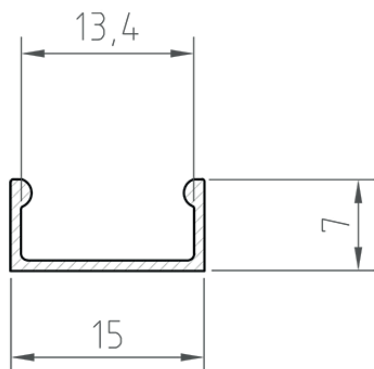


## U-Profile SlimLine Low Profile 7.00x15.00mm



PROFILE TYPE	WIDTH OF LED TAPE
surface	up to 12 mm
VERSIONS	LENGTH
silver anodised	1000 mm
painted in white	2000 mm
painted in black	3000 mm

### TECHNICAL DRAWING WITH DIMENSIONS

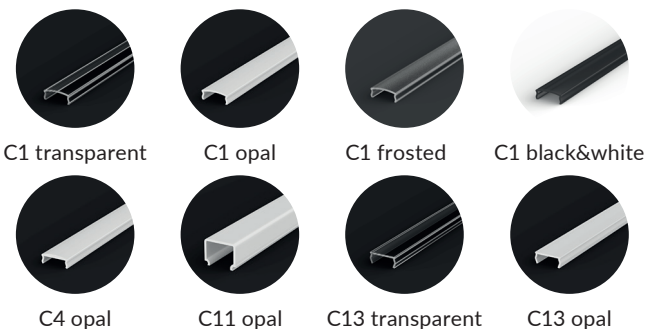


### INSTALLATION INSTRUCTIONS

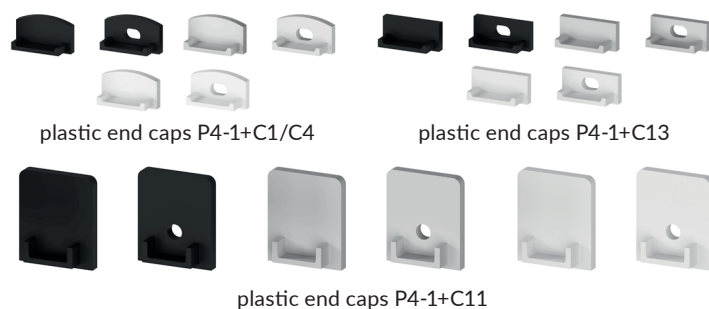


### ACCESSORIES

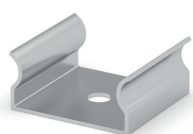
#### DIFFUSERS (CLICK-IN TYPE)



#### END CAPS



#### OTHER ACCESSORIES



metal clip



plastic clip



TESA adhesive tape